

MIC-DESKevo

1 - Safety information

Important safety information



This unit is intended for indoor use only. Do not use it in a wet, or extremely cold/hot locations. Failure to follow these safety instructions could result in fire, electric shock, injury, or damage to this product or other property.



Any maintenance procedure must be performed by a CONTEST authorised technical service. Basic cleaning operations must thoroughly follow our safety instructions.



This product contains non-isolated electrical components. Do not undertake any maintenance operation when it is switched on as it may result in electric shock.

Symbols used



This symbol signals an important safety precaution.



The WARNING symbol signals a risk to the user's physical integrity. The product may also be damaged.



The CAUTION symbol signals a risk of product deterioration.

Instructions and recommendations

1 - Please read carefully :

We strongly recommend to read carefully and understand the safety instructions before attempting to operate this unit.

2 - Please keep this manual :

We strongly recommend to keep this manual with the unit for future reference.

3 - Operate carefully this product :

We strongly recommend to take into consideration every safety instruction.

4 - Follow the instructions:

Please carefully follow each safety instruction to avoid any physical harm or property damage.

5 - Avoid water and wet locations :

Do not use this product in rain, or near washbasins or other wet locations.

6 - Installation :

We strongly encourage you to only use a fixation system or support recommended by the manufacturer or supplied with this product. Carefully follow the installation instructions and use the adequate tools.

Always ensure this unit is firmly fixed to avoid vibration and slipping while operating as it may result in physical injury.

7 - Ventilation :

The cooling vents ensure a safe use of this product, and avoid any overheating risk. Do not obstruct or cover these vents as it may result in overheating and potential physical injury or product damage. This product should never be operated in a closed non-ventilated area such as a flight case or a rack, unless cooling vents are provided for the purpose .

8 - Heat exposure :

Sustained contact or proximity with warm surfaces may cause overheating and product damages. Please keep this product away from any heat source such as a heaters, amplifiers, hot plates, etc...

9 - Electric power supply :

This product can only be operated according to a very specific voltage. These information are specified on the label located at the rear of the product.

CAUTION

RISK OF ELECTRIC SHOCK

DO NOT OPEN

WARNING : This unit contains no user-serviceable parts. Do not open the housing or attempt any maintenance by yourself. In the unlikely even your unit may require service, please contact your nearest dealer.

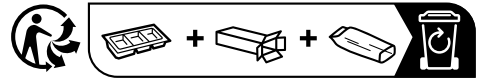
In order to avoid any electrical malfunction, please do not use any multi-socket, power cord extension or connecting system without making sure they are perfectly isolated and present no defect.

Sound levels

Our audio solutions deliver important sound pressure levels (SPL) that can be harmful to human health when exposed during long periods. Please do not stay in close proximity of operating speakers.

Recycling your device

- As HITMUSIC is really involved in the environmental cause, we only commercialise clean, ROHS compliant products.
- When this product reaches its end of life, take it to a collection point designated by local authorities. The separate collection and recycling of your product at the time of disposal will help conserve natural resources and ensure that it is recycled in a manner that protects human health and the environment.



10 - Power cords protection:

Power-supply cords should be routed so that they are not likely to be walked on or pinched by items placed upon or against them, paying particular attention to cords at lugs, convenience receptacles and the point where they exit from the fixture.

11 - Cleaning precautions :

Unplug the product before attempting any cleaning operation. This product should be cleaned only with accessories recommended by the manufacturer. Use a damp cloth to clean the surface. Do not wash this product.

12 - Long periods of non use :

Disconnect the unit's main power during long periods of non use.

13 - Liquids or objects penetration :

Do not let any object penetrate this product as it may result in electric shock or fire. Never spill any liquid on this product as it may infiltrate the electronic components and result in electric shock or fire.

14 - This product should be serviced when :

Please contact the qualified service personnel if :

- The power cord or the plug has been damaged.
- Objects have fallen or liquid has been spilled into the appliance.
- The appliance has been exposed to rain or water.
- The product does not appear to operate normally.
- The product has been damaged.

15 - Inspection/maintenance :

Please do not attempt any inspection or maintenance by yourself. Refer all servicing to qualified personnel.

16 - Operating environment :

Ambient temperature and humidity: +5 - +35°C, relative humidity must be less than 85% (when cooling vents are not obstructed).

Do not operate this product in a non-ventilated, very humid or warm place.

2 - Introduction

Designed specifically for professional installation, the MIC-DESKevo desk allows announcements to be made via a public address system.

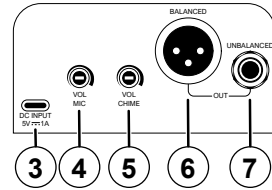
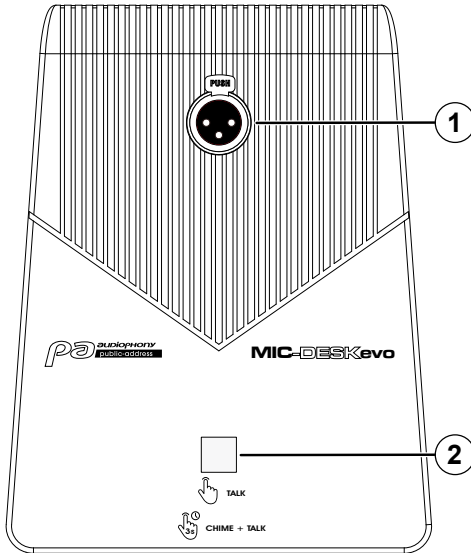
It is equipped with a chime system to signal an announcement, general volume control, and chime volume control.

3 - General and technical characteristics

- 1 XLR microphone input on the front panel
- 1 balanced output on XLR connector on rear
- 1 unbalanced output on 6.35 jack connector on rear
- Talk button on the front panel to switch on the microphone or start the chime
- Volume control (microphone and chime) on rear
- Power supply via transformer on USB C connector on rear

Power supply	AC 120~240 V - DC 5 V, 1 A
Gooseneck microphone	Unidirectional electret condenser microphone
Input sensitivity	- 50 dB
Chime frequencies	440, 554, 659, 880 Hz
Fréquency response	20Hz ~ 20 KHz
Noise	Less than 1 mV
Signal-to-noise ratio	More than 100 dB
Unbalanced output	110 mV
Balanced output	230 mV
Weight	600 g
Size	190 x 80 x 155 mm

4 - Device presentation



1 Microphone input

3-pin female XLR connector for gooseneck electret microphone. It uses phantom power supplied by the console.

2 TALK + CHIME button

This button has two functions:

- 1 - Pressing it briefly activates the microphone; the microphone's red ring lights up, indicating that the microphone is active. Press this button again to deactivate the microphone.
- 2 - Press for more than 3 seconds to trigger the chime, then the red ring on the microphone lights up, indicating that the microphone is active. Press this button again to deactivate the microphone.

3 Power supply input

This input USB-C allows you to connect the supplied transformer. It accepts a power supply of 5 V and 1 A.

4 VOL MIC potentiometer

Allows you to adjust the level of the microphone.

5 VOL CHIME potentiometer

Allows you to adjust the chime level.

6 Balanced output

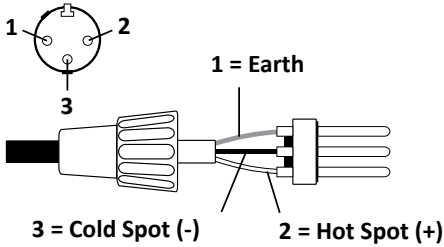
XLR plug for sending the output signal from the console to the broadcast system.

7 Unbalanced output

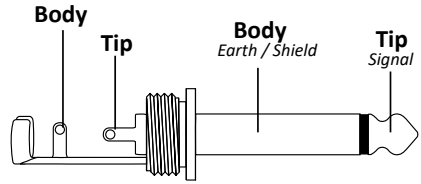
6.35 jack for sending the output signal from the console to the broadcast system.

5 - Connexions used

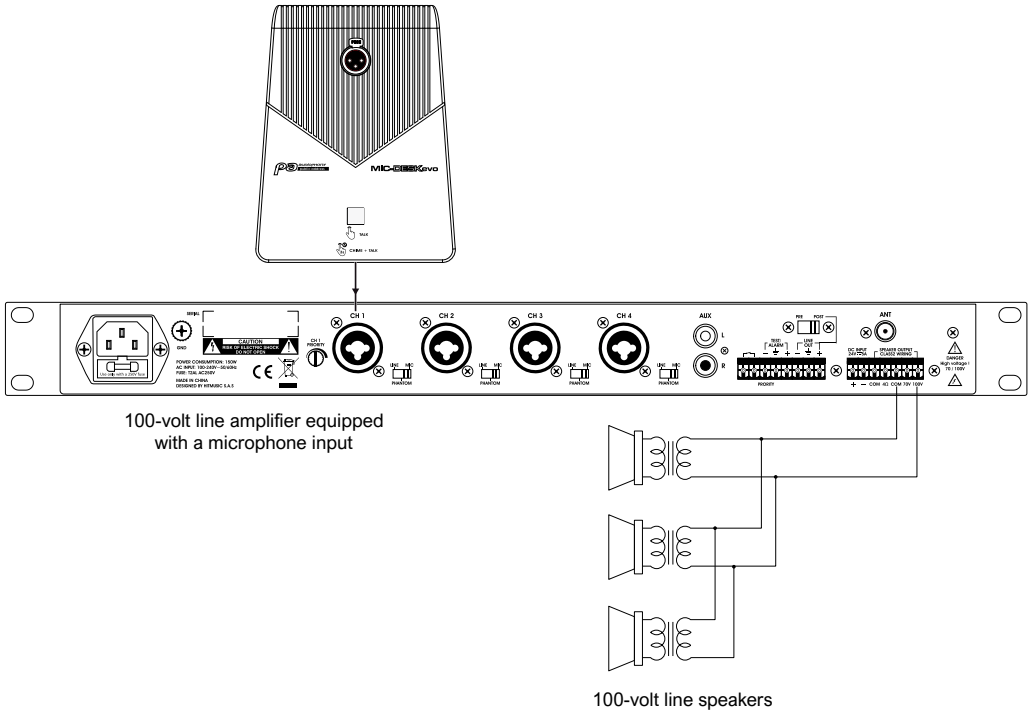
Below is the balanced XLR wiring.



Below is the unbalanced wiring on a jack plug.



6 - Principle diagram



Because AUDIOPHONY® takes the utmost care in its products to make sure you only get the best possible quality, our products are subjects to modifications without prior notice. That is why technical specifications and the products physical configuration might differ from the illustrations.

Make sure you get the latest news and updates about the AUDIOPHONY® products on www.audiophony-pa.com
AUDIOPHONY® is a trademark of HITMUSIC S.A.S - 595 Rue de la pièce Grande - 46230 FONTANES - FRANCE