

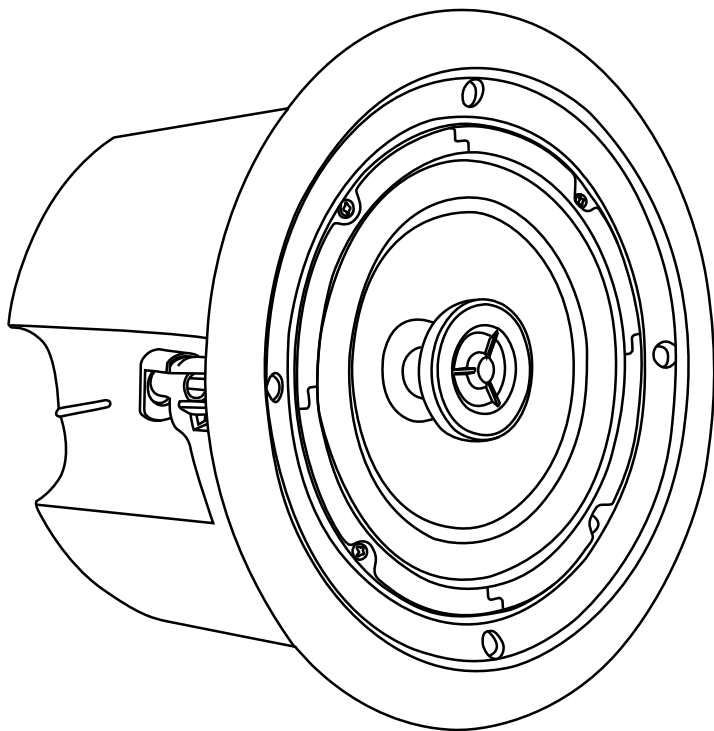
# CHP660

Flush-mount ceiling speaker  
60Watts - 2 channels - 8 Ohms/70/100V.

Perfectly suited to installations where sound requirements and discreet design are of the utmost importance.

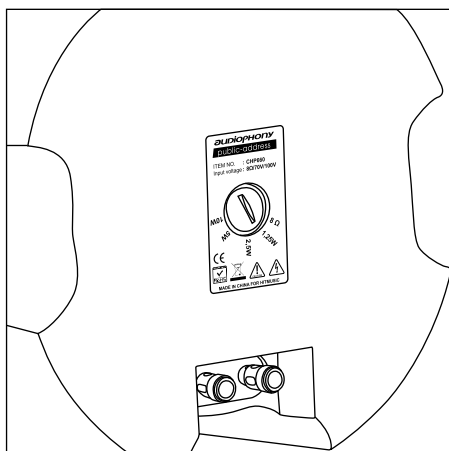
The CHP660 in-wall speaker features a two-way system and a resonator box for exceptional sound, even at high impedance.

Equally at home broadcasting voice or background music, its input selector means it can be adapted to all types of installation.



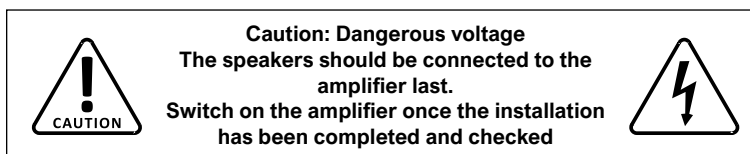
<b>Power ratings</b>	1.25 / 2.5 / 5 / 10 / 60W depending on selector position
<b>Power supply</b>	8 Ohms / 70V / 100V
<b>Components</b>	6.5-inch (16 cm) speaker with 1-inch (25 mm) coaxial tweeter
<b>Sensitivity (1W/1m)</b>	Above 90 dB, +/-3dB
<b>Frequency response</b>	56 Hz - 20 KHz
<b>Construction</b>	White ABS body, white metal grille
<b>Hook</b>	4 screw-on feet
<b>Connections</b>	2 Push-button connectors
<b>Cut-out diameter for assembly</b>	Ø208mm
<b>Dimensions</b>	Ø240x 155 mm
<b>Weight</b>	1,75 Kg

## Power selection



The wattage of the CHP660 ceiling light is determined by the selector switch on the back of the light.

You must ensure that the sum of the powers of all the loudspeakers connected to the amplifier does not exceed the maximum power of the amplifier.

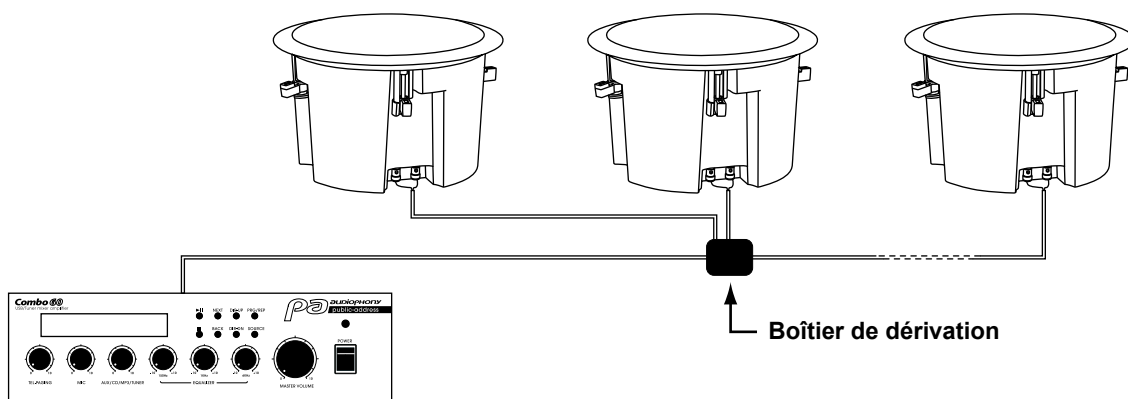


## Setting the scene

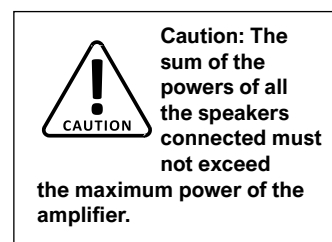
CHP660 #1

CHP660 #2

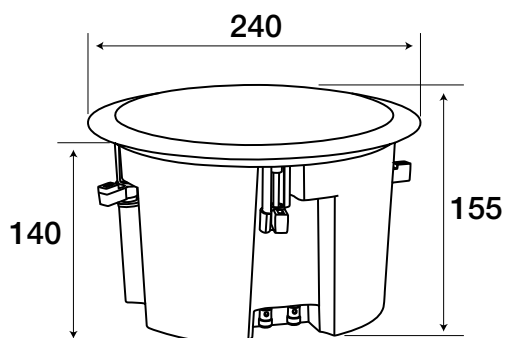
CHP660 #n



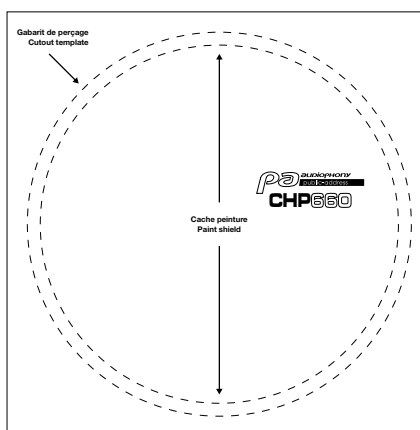
Source / Amplificateur



## Dimensions



## Using the template supplied



The outer circle gives the shape and size of the drilling diameter. The inner disc comes with a cover that will be useful if you decide to repaint the ceiling light. When painting the grille, take care not to obstruct the holes.