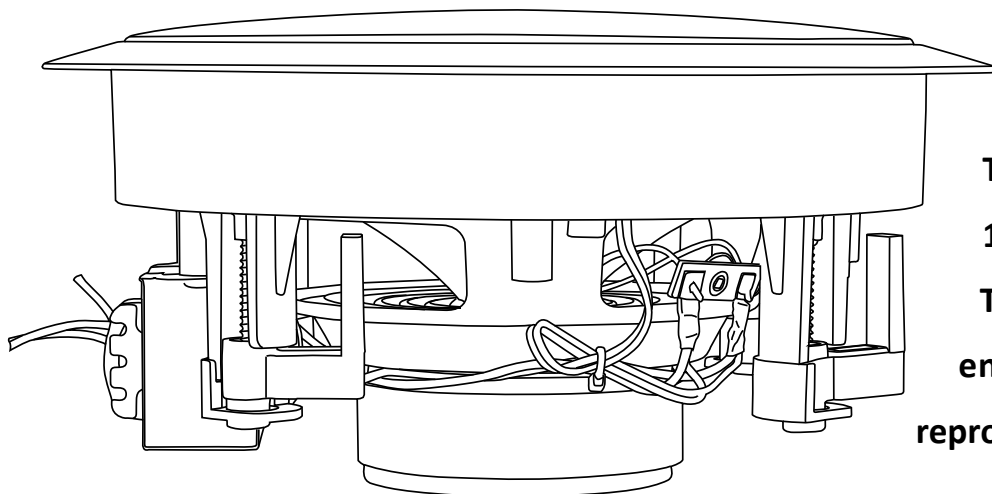


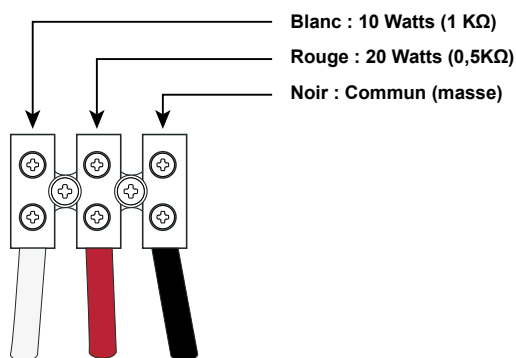
# CHP620



**Two-way ceiling speaker with a 16 cm loudspeaker and tweeter. These high-quality components enable all types of music to be reproduced with great clarity.**

<b>Power ratings</b>	10 or 20 Watts at 100V - Depending on connection
<b>Power supply</b>	100 V
<b>Impedances</b>	1 K $\Omega$ or 0.5 K $\Omega$
<b>Components</b>	6.5" driver and 1.5" tweeter
<b>Sensitivity (1W/1m)</b>	98 dB, +/-3dB
<b>Frequency response</b>	85 Hz - 18 KHz
<b>Construction</b>	White ABS body, white metal grille
<b>Hook</b>	4 screw-on feet
<b>Connections</b>	3-pin connector (white: 10W / red: 20W / black: common)
<b>Cut-out diameter for assembly</b>	Ø200mm
<b>Dimensions</b>	Ø233x 118 mm
<b>Weight</b>	1.7 kg

## Wiring

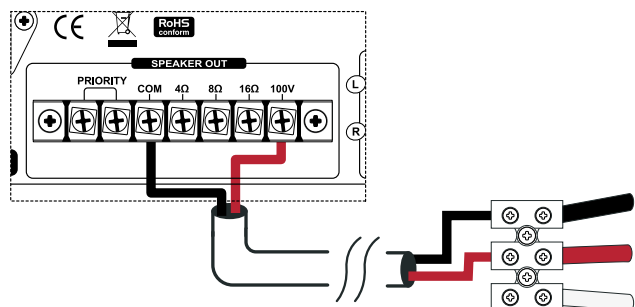


The power of the CHP620 ceiling light is determined by the cables connected to the amplifier.

The colour code opposite shows the different wattages available depending on the colour of the cable.

You must ensure that the sum of the powers of all the loudspeakers connected to the amplifier does not exceed the maximum power of the amplifier.

- 1 - Always connect the black cable to the "COM" terminal on the amplifier output terminal block.
- 2 - Select the cable of the colour that corresponds to the desired power.
- 3 - Connect the selected cable to the 100V terminal on the amplifier output terminal block.



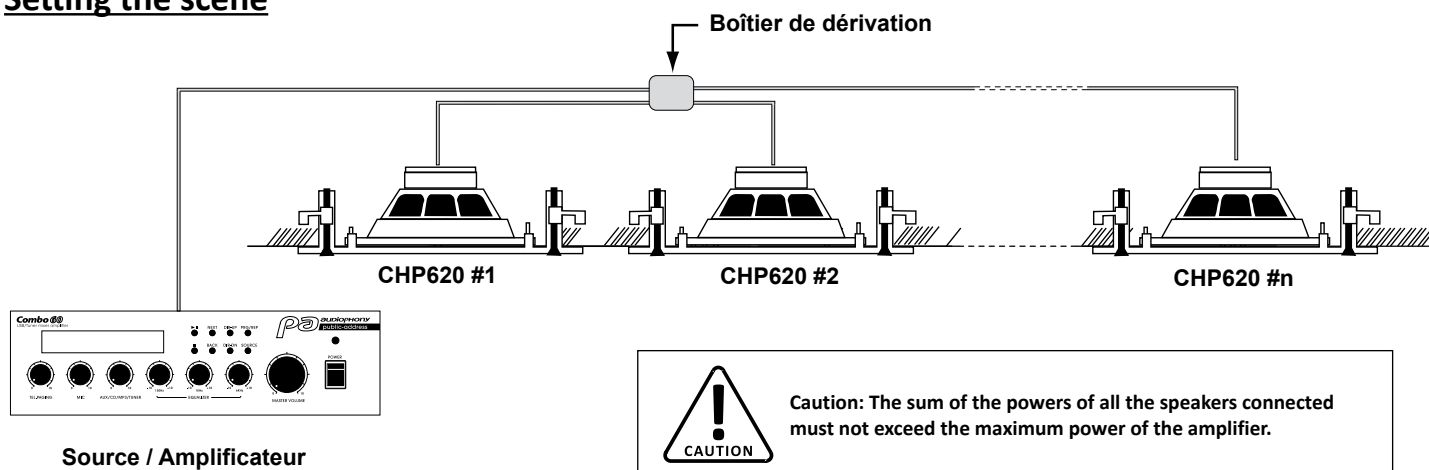
**Caution: Dangerous voltage**

The speakers should be connected to the amplifier last.

Switch on the amplifier once the installation has been completed and checked

Opposite is an example of wiring for a selected power of 20 watts.

## Setting the scene



## Dimensions

