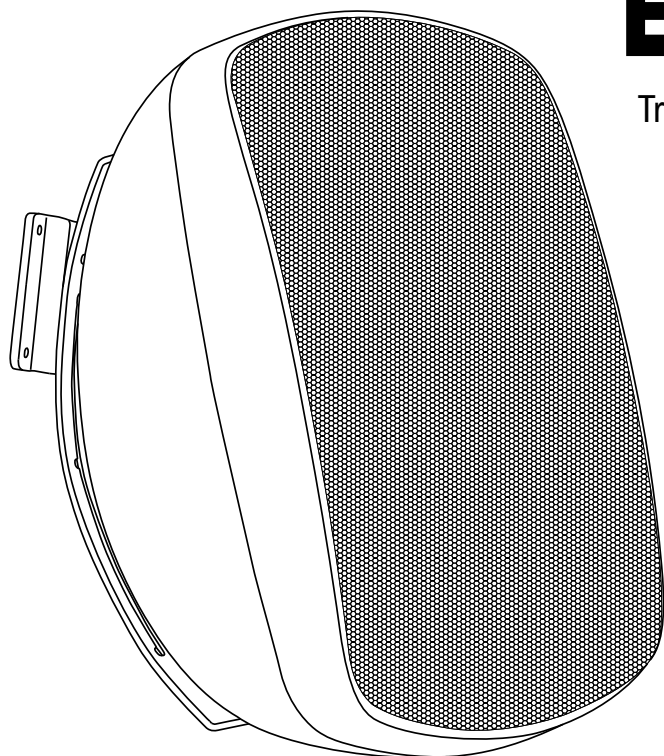


BORNEO660

Tropicalised installation enclosure
60Watts - 2 channels - 8 Ohms/100V



With its impeccable finish and unique design, the BORNEO 660 speaker will fit in perfectly with your Hi-Fi, PA or public address system.

Equally at home indoors or out, it delivers clear, warm sound, ideal for background music or voice reproduction.

Its built-in swivel bracket means you can install it quickly and discreetly.

Thanks to the treatment applied to its casing and speakers, the BORNEO660 is not affected by humidity, so it can be installed on a terrace or near a swimming pool.

Power	5 / 10 / 15 / 20 / 60W depending on selector position
--------------	---

Power supply	8 Ohms / 100V
---------------------	---------------

Components	6.5 (16 cm) inch driver with 1 inch (25 mm) tweeter
-------------------	---

Sensitivity (1W/1m)	Above 89 dB, +/-3dB
----------------------------	---------------------

Frequency response	45 Hz - 20 KHz
---------------------------	----------------

Construction	White ABS body, white metal grille
---------------------	------------------------------------

Hook	Adjustable suspension loop and wall bracket
-------------	---

Connections	2 Push-button connectors
--------------------	--------------------------

Dimensions	340 x 220 x 220 mm
-------------------	--------------------

Weight	3.8 Kg
---------------	--------

Fitting the lyre

Place the curved lyre (a) on the wall bracket (b) as shown in Figure 1. Insert two hexagonal screws (c) through the yoke (a) and tighten securely using the spanner supplied.

The wall bracket can be mounted either vertically or horizontally. Use 4 screws (not supplied) to secure the wall bracket.

Take the weight of the speaker into account when choosing your screws.

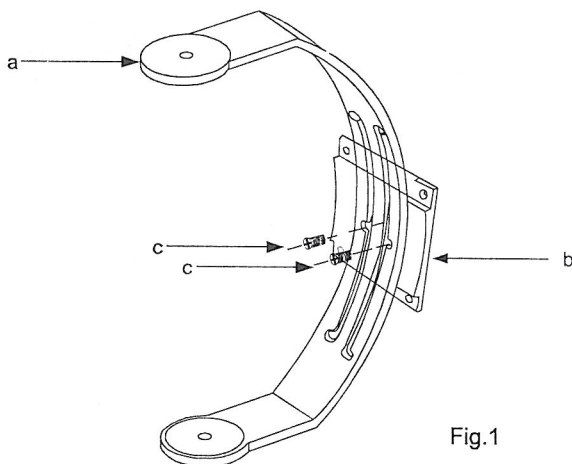
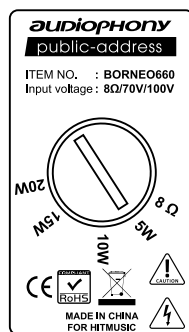


Fig.1



Power setting

At the rear of the speaker is a small selector which allows you to choose the power level of the speaker when connected to a 100 V amplifier.

At the 8 Ohms position, the speaker is rated at 60 W RMS.

Warning: do not operate the selector when the speaker is switched on, as this could damage the speakers.

Installing the speaker

Remove the two covers (f) to gain access to the fixing points.

Place the speaker in the curved biretta (a) and insert the two knobs (g) through the biretta. Adjust the position of the speaker and tighten the knobs so that the speaker cannot move.

Replace the two covers.

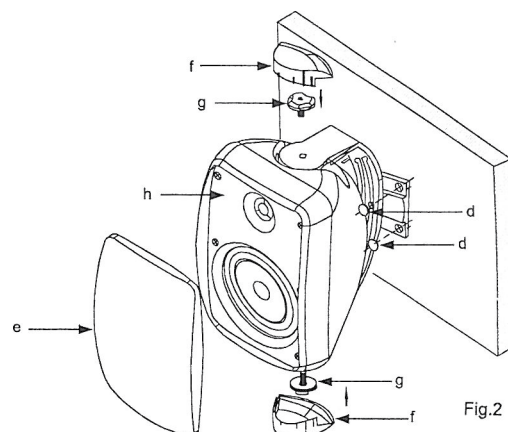
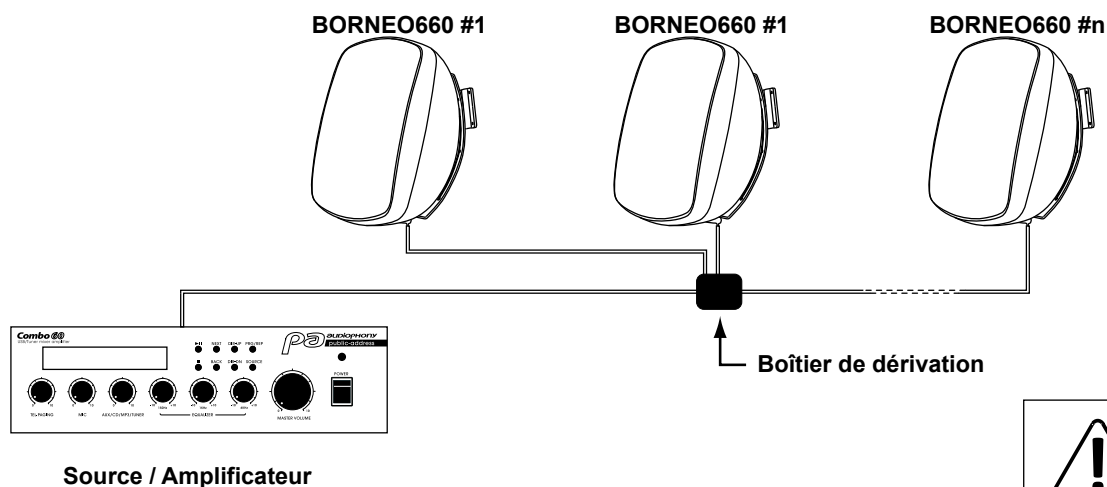


Fig.2



Caution: The surface treatment of the enclosure allows it to be used outdoors, but away from direct water spray.

Setting the scene



Caution: The sum of the powers of all the speakers connected must not exceed the maximum power of the amplifier.