

**AMP4150**

**AMP4300**

**AMP4600**

4-channel 100 V line amplifiers

**USER GUIDE**

H11836/H11756/H11847 - Version 1 / 06-2025

# 1 - Safety information

## Important safety information



This unit is intended for indoor use only. Do not use it in a wet, or extremely cold/hot locations. Failure to follow these safety instructions could result in fire, electric shock, injury, or damage to this product or other property.



Any maintenance procedure must be performed by a CONTEST authorised technical service. Basic cleaning operations must thoroughly follow our safety instructions.



This product contains non-isolated electrical components. Do not undertake any maintenance operation when it is switched on as it may result in electric shock.

## Symbols used



This symbol signals an important safety precaution.



The WARNING symbol signals a risk to the user's physical integrity. The product may also be damaged.



The CAUTION symbol signals a risk of product deterioration.

## Instructions and recommendations

### 1 - Please read carefully :

We strongly recommend to read carefully and understand the safety instructions before attempting to operate this unit.

### 2 - Please keep this manual :

We strongly recommend to keep this manual with the unit for future reference.

### 3 - Operate carefully this product :

We strongly recommend to take into consideration every safety instruction.

### 4 - Follow the instructions:

Please carefully follow each safety instruction to avoid any physical harm or property damage.

### 5 - Avoid water and wet locations :

Do not use this product in rain, or near washbasins or other wet locations.

### 6 - Installation :

We strongly encourage you to only use a fixation system or support recommended by the manufacturer or supplied with this product. Carefully follow the installation instructions and use the adequate tools.

Always ensure this unit is firmly fixed to avoid vibration and slipping while operating as it may result in physical injury.

### 7 - Ventilation :

The cooling vents ensure a safe use of this product, and avoid any overheating risk. Do not obstruct or cover these vents as it may result in overheating and potential physical injury or product damage. This product should never be operated in a closed non-ventilated area such as a flight case or a rack, unless cooling vents are provided for the purpose .

### 8 - Heat exposure :

Sustained contact or proximity with warm surfaces may cause overheating and product damages. Please keep this product away from any heat source such as a heaters, amplifiers, hot plates, etc...

### 9 - Electric power supply :

This product can only be operated according to a very specific voltage. These information are specified on the label located at the rear of the product.



**CAUTION**  
RISK OF ELECTRIC SHOCK  
DO NOT OPEN



**WARNING :** This unit contains no user-serviceable parts. Do not open the housing or attempt any maintenance by yourself. In the unlikely even your unit may require service, please contact your nearest dealer.  
In order to avoid any electrical malfunction, please do not use any multi-socket, power cord extension or connecting system without making sure they are perfectly isolated and present no defect.



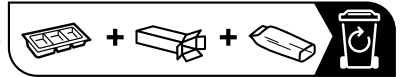
## Sound levels

Our audio solutions deliver important sound pressure levels (SPL) that can be harmful to human health when exposed during long periods. Please do not stay in close proximity of operating speakers.

## Recycling your device



- As HITMUSIC is really involved in the environmental cause, we only commercialise clean, ROHS compliant products.
- When this product reaches its end of life, take it to a collection point designated by local authorities. The separate collection and recycling of your product at the time of disposal will help conserve natural resources and ensure that it is recycled in a manner that protects human health and the environment.



### 10 - Power cords protection:

Power-supply cords should be routed so that they are not likely to be walked on or pinched by items placed upon or against them, paying particular attention to cords at lugs, convenience receptacles and the point where they exit from the fixture.

### 11 - Cleaning precautions :

Unplug the product before attempting any cleaning operation. This product should be cleaned only with accessories recommended by the manufacturer. Use a damp cloth to clean the surface. Do not wash this product.

### 12 - Long periods of non use :

Disconnect the unit's main power during long periods of non use.

### 13 - Liquids or objects penetration :

Do not let any object penetrate this product as it may result in electric shock or fire. Never spill any liquid on this product as it may infiltrate the electronic components and result in electric shock or fire.

### 14 - This product should be serviced when :

- Please contact the qualified service personnel if :
- The power cord or the plug has been damaged.
  - Objects have fallen or liquid has been spilled into the appliance.
  - The appliance has been exposed to rain or water.
  - The product does not appear to operate normally.
  - The product has been damaged.

### 15 - Inspection/maintenance :

Please do not attempt any inspection or maintenance by yourself. Refer all servicing to qualified personnel.

### 16 - Operating environment :

Ambient temperature and humidity: +5 - +35°C, relative humidity must be less than 85% (when cooling vents are not obstructed).

Do not operate this product in a non-ventilated, very humid or warm place.

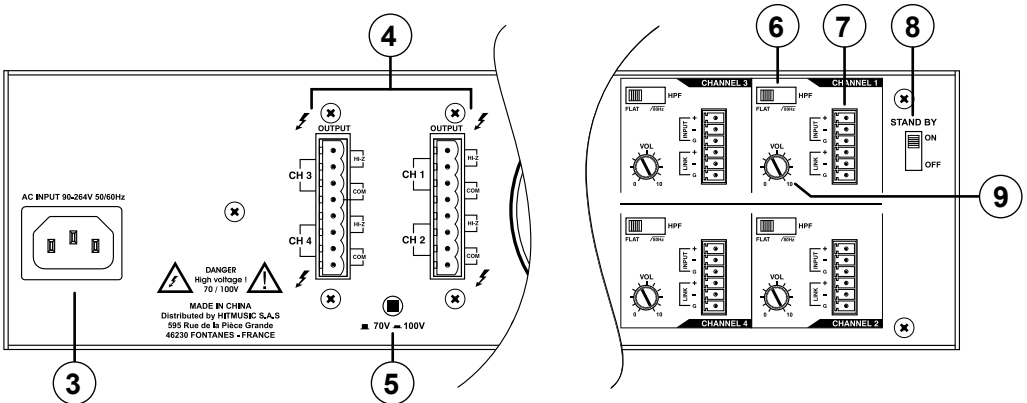
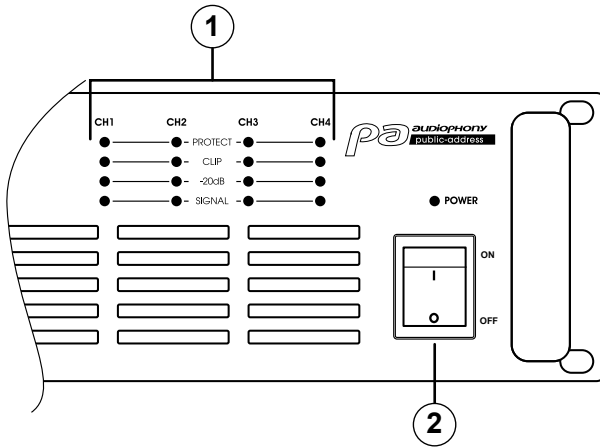
## 2 - Introduction

The new AMP4150, AMP4300, and AMP4600 amplifiers designed for installation combine sound quality, ease of use, and ease of installation.

Operating at 70V or 100V, the AMP4150, AMP4300, and AMP4600 amplifiers have been developed to adapt to all installations.

Their high-pass filters limit bass presence for more discreet background music without loss of power.

## 3 - Product overview



## 1 Indicator LEDs

These LEDs provide information about the status of the amplifier:

- **SIGNAL**: Indicates the presence of a signal at the amplifier input.
- **-20 dB**: Indicates that the signal is within the correct range to ensure the best possible sound quality.
- **CLIP**: Indicates that the signal level is too high.
- **PROTECT**: Indicates that the amplifier is in protection mode due to overheating or a short circuit.

### Notes :

- It is normal for the PROTECT LED to light up for a few seconds when the amplifier is turned on.
- If the PROTECT LED remains lit, turn off the amplifier, wait for it to cool down, and check the wiring.
- If it remains lit when the amplifier is turned on, even though the amplifier is not hot and all the wiring is correct, consult a specialist technician.

## 2 Power button

Turns the amplifier on and off.

When the amplifier is turned on, the POWER LED is lit.

## 3 Power supply input

Connect the supplied IEC cord to this input and connect it to the mains after checking the voltage supplied.

## 4 Output terminals

Connect your speakers or ceiling speakers to these terminals.

Use the Eurobloc connectors supplied with the amplifier to connect your speakers or ceiling speakers.

Refer to the following paragraph for wiring details.

## 5 Output voltage switch

Allows you to select the output voltage to match the speaker voltage: 70V or 100V.

## 6 HPF switch

This switch activates or deactivates the input high-pass filter.

The cutoff frequency is set at 80Hz.

## 7 INPUT and LINK connectors

**INPUT**: Connect a line-level source to this input. The amplifier inputs are balanced.

**LINK**: Wired in parallel with the INPUT, it allows the signal to be sent back to one of the other inputs or to another device.

## 8 Commutateur STAND BY

This switch enables or disables automatic standby mode. More details in the next chapter.

## 9 VOL potentiometer

This potentiometer allows you to adjust the input signal level from -12dB to 0dB.

## 4 - Usage

**CAUTION:** Before working on the wiring of your installation, make sure that the amplifier is disconnected from the mains and that the power switch is set to OFF.

### Standby mode

The amplifier is equipped with a standby system.

This system can be deactivated by setting the STANDBY switch to OFF.

If no audio signal is sent for more than 15 minutes, the amplifier goes into standby mode.

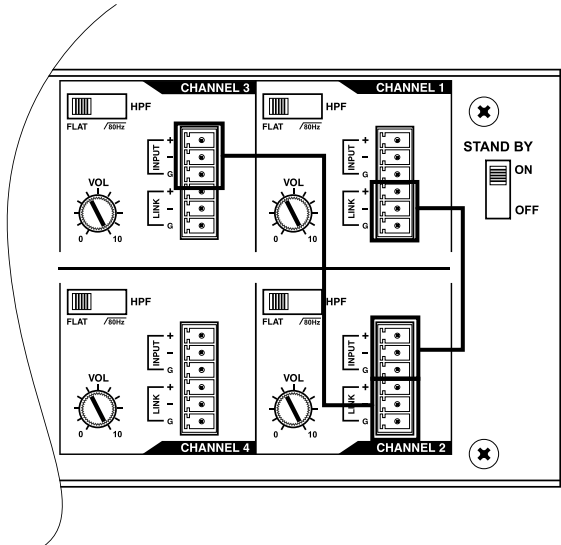
The standby output is automatically triggered when an audio signal is received at the input. There is a delay of approximately 2 seconds before the power section is turned on.

### Input connectors

The line inputs (INPUT) and LINK outputs are balanced.

You can still feed these connectors with an unbalanced signal.

You can also cascade the input signal from one channel to another, as shown in the diagram below.



### Output terminal block

Use high-quality cables to connect your speakers.

To avoid short circuits, tin the cables before connecting them to the output terminal block..

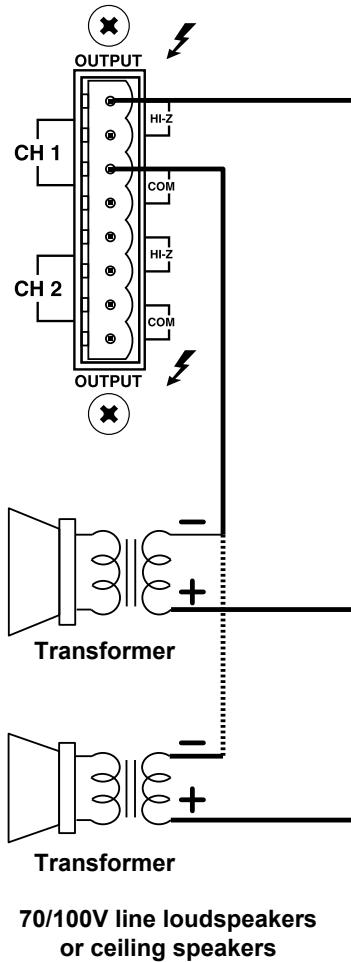
- Only 70/100V speakers can be connected.

**Please note: it is absolutely not possible to connect low-impedance speakers to the AMP4150, AMP4300, and AMP4600.**

Note: Never use shielded cable to carry the power signal.

## Output wiring

When connecting your speakers to the amplifier, be sure to observe the polarities. Connect speakers equipped with transformers to the COM and HI-Z terminals.

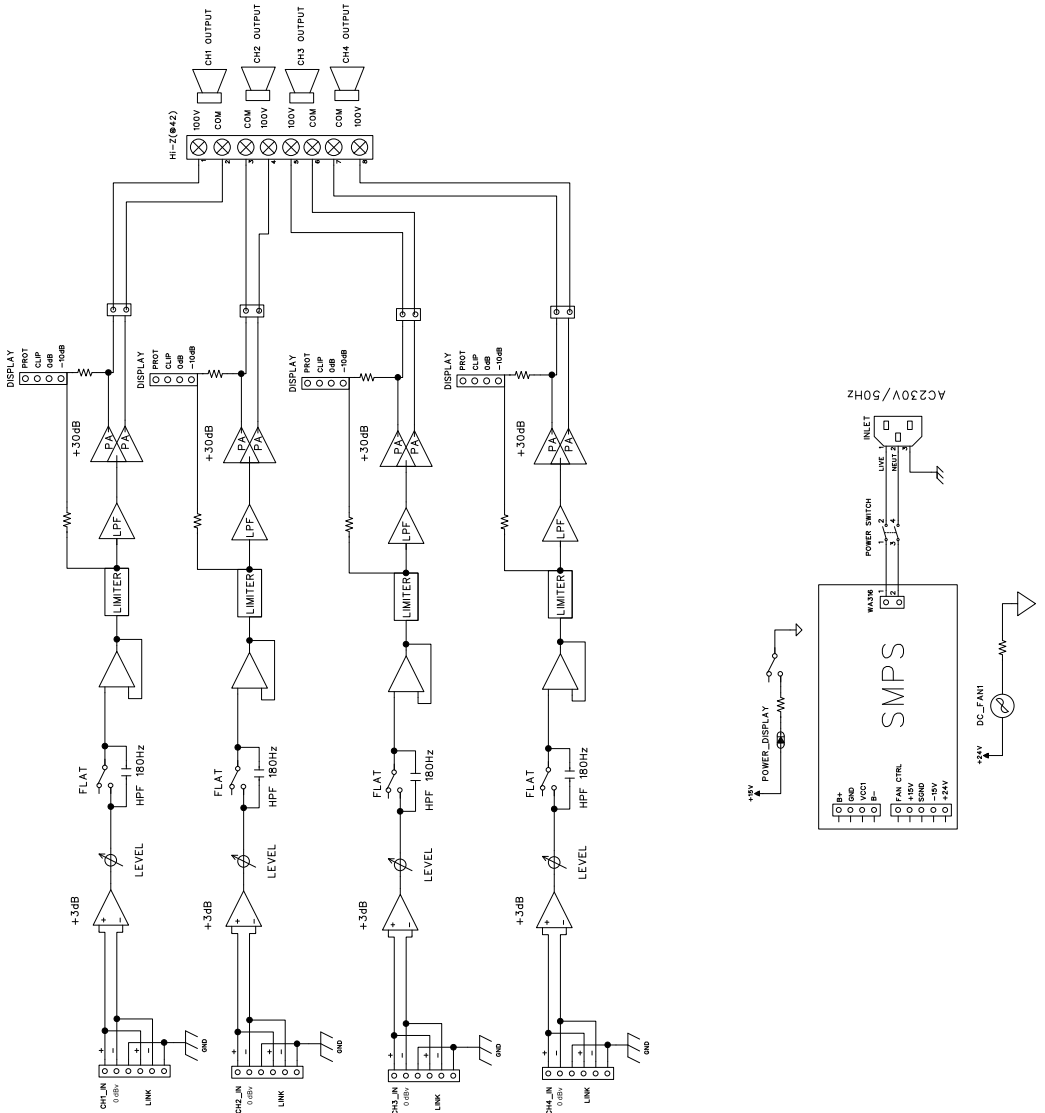


**Dangerous voltage**  
The speakers must be connected to the amplifier last.  
Turn on the amplifier when the installation is complete and checked.



**Caution: The total power of all connected speakers must not exceed the maximum power of the amplifier.**

# 5 - Synoptic



## 7 - Detailed specifications

ELECTRICAL CHARACTERISTICS						
	AMP4150		AMP4300		AMP4600	
Power (T.H.D 1,0%, 1KHz)	100V / 66Ω	4 x 150 W	100V / 33Ω	4 x 300 W	100V / 16Ω	4 x 600 W
Input sensitivity (INPUT and LINK) (Balanced input)	0 dB / 20 KΩ					
Cross Talk	More than 70 dB					
Frequency response	20 Hz - 20 KHz					
Signal-to-noise ratio	More than 100dB					
T.H.D at 1 KHz (nominal power)	Less than 1%					
Power supply	AC90-264V, 50/60Hz					
Power consumption	720 Watts		1432 Watts		2777 Watts	

PHYSICAL CHARACTERISTICS	
Cooling	By regulated ventilation
Operating temperature and humidity	5°~35°C with 85% max. humidity
Dimensions (W x D x H)	483 x 420 x 88 mm
Net weight	7.9 Kg

Because AUDIOPHONY® takes the utmost care in its products to make sure you only get the best possible quality, our products are subjects to modifications without prior notice. That is why technical specifications and the products physical configuration might differ from the illustrations.

Make sure you get the latest news and updates about the AUDIOPHONY® products on [www.audiophony-pa.com](http://www.audiophony-pa.com)  
AUDIOPHONY® is a trademark of HITMUSIC S.A.S - 595 Rue de la pièce Grande - 46230 FONTANES - FRANCE