

AMP480 MKII

AMP4120 MKII

AMP4240 MKII

1 - Safety information

Important safety information



This unit is intended for indoor use only. Do not use it in a wet, or extremely cold/hot locations. Failure to follow these safety instructions could result in fire, electric shock, injury, or damage to this product or other property.



This product contains non-isolated electrical components. Do not undertake any maintenance operation when it is switched on as it may result in electric shock.



Any maintenance procedure must be performed by a CONTEST authorised technical service. Basic cleaning operations must thoroughly follow our safety instructions.



CAUTION
RISK OF ELECTRIC SHOCK
DO NOT OPEN



WARNING : This unit contains no user-serviceable parts. Do not open the housing or attempt any maintenance by yourself. In the unlikely even your unit may require service, please contact your nearest dealer. In order to avoid any electrical malfunction, please do not use any multi-socket, power cord extension or connecting system without making sure they are perfectly isolated and present no defect.



Risk of electrocution

To prevent the hazard of electric shocks, do not use extension cords, multi-socket or any other connection system without making sure metal parts completely are out of reach.



Sound levels

Our audio solutions deliver important sound pressure levels (SPL) that can be harmful to human health when exposed during long periods. Please do not stay in close proximity of operating speakers.



Recycling your device

- As HITMUSIC is really involved in the environmental cause, we only commercialise clean, ROHS compliant products.
- When this product reaches its end of life, take it to a collection point designated by local authorities. The separate collection and recycling of your product at the time of disposal will help conserve natural resources and ensure that it is recycled in a manner that protects human health and the environment.

Symbols used



This symbol signals an important safety precaution.



The CAUTION symbol signals a risk of product deterioration.



The WARNING symbol signals a risk to the user's physical integrity. The product may also be damaged.

Instructions and recommendations

1 - Please read carefully :

We strongly recommend to read carefully and understand the safety instructions before attempting to operate this unit.

2 - Please keep this manual :

We strongly recommend to keep this manual with the unit for future reference.

3 - Operate carefully this product :

We strongly recommend to take into consideration every safety instruction.

4 - Follow the instructions:

Please carefully follow each safety instruction to avoid any physical harm or property damage.

5 - Avoid water and wet locations :

Do not use this product in rain, or near washbasins or other wet locations.

6 - Installation :



We strongly encourage you to only use a fixation system or support recommended by the manufacturer or supplied with this product. Carefully follow the installation instructions and use the adequate tools.

Always ensure this unit is firmly fixed to avoid vibration and slipping while operating as it may result in physical injury.

7 - Ceiling or wall installation :

Please contact your local dealer before attempting any ceiling or wall installation.

8 - Ventilation :



The cooling vents ensure a safe use of this product, and avoid any overheating risk.

Do not obstruct or cover these vents as it may result in overheating and potential physical injury or product damage. This product should never be operated in a closed non-ventilated area such as a flight case or a rack, unless cooling vents are provided for the purpose .

9 - Heat exposure :

Sustained contact or proximity with warm surfaces may cause overheating and product damages. Please keep this product away from any heat source such as a heaters, amplifiers, hot plates, etc...

10 - Electric power supply :

This product can only be operated according to a very specific voltage. These information are specified on the label located at the rear of the product.

11 - Power cords protection:

Power-supply cords should be routed so that they are not likely to be walked on or pinched by items placed upon or against them, paying particular attention to cords at lugs, convenience receptacles and the point where they exit from the fixture.



12 - Cleaning precautions :



Unplug the product before attempting any cleaning operation. This product should be cleaned only with accessories recommended by the manufacturer. Use a damp cloth to clean the surface. Do not wash this product.

13 - Long periods of non use :

Disconnect the unit's main power during long periods of non use.

14 - Liquids or objects penetration :

Do not let any object penetrate this product as it may result in electric shock or fire.

Never spill any liquid on this product as it may infiltrate the electronic components and result in electric shock or fire.

15 - This product should be serviced when :



Please contact the qualified service personnel if :

- The power cord or the plug has been damaged.
- Objects have fallen or liquid has been spilled into the appliance.
- The appliance has been exposed to rain or water.
- The product does not appear to operate normally.
- The product has been damaged.

16 - Inspection/maintenance :



Please do not attempt any inspection or maintenance by yourself. Refer all servicing to qualified personnel.

17 - Operating environment :



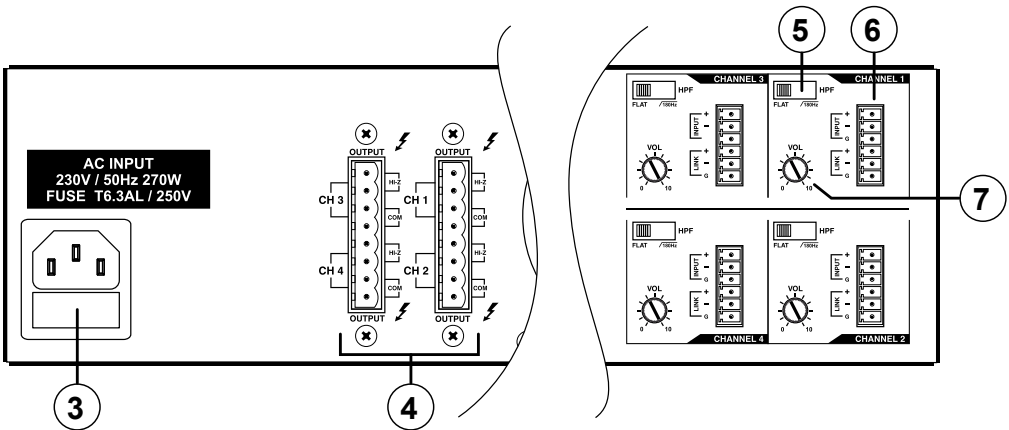
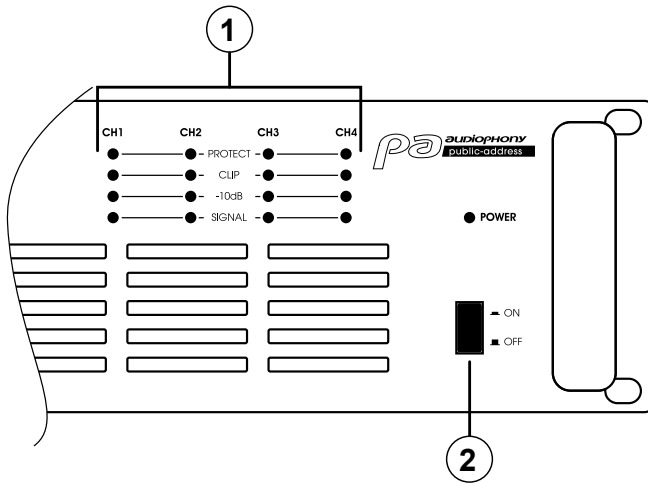
Ambient temperature and humidity: +5 - +35°C, relative humidity must be less than 85% (when cooling vents are not obstructed).

Do not operate this product in a non-ventilated, very humid or warm place.

2 - Introduction

Our new AMP amplifiers series dedicated to installations combine sound quality, easy installation and handiness. The AMP480, AMP4120 MKII and AMP4240 MKII operate at 100V, and have been designed to fit any installation. Their high-pass filter allow them to limit basses, allowing more subtle ambient music without compromising on power.

3 - Presentation



1 LED indicators

These LEDs indicate the current status of your device:

- **SIGNAL**: Indicates that an incoming signal has been detected.
- **-10 dB**: Indicates that the incoming signal is within the best range possible to get a perfect audio output.
- **CLIP**: Indicates that signal levels are too high.
- **PROTECT**: Indicates that the protection has been activated because your device of short-circuits or overheating.

Notes :

- The PROTECT LED usually lights up when turning on your device.
- If the PROTECT LED remains lit, please turn off your amplifier, wait for it to cool down, and check the cables.
- If this LED remains lit upon activation of your device, and the aforementioned steps have already been tried, please ask for a qualified technician.

2 Power button

Allows you to turn you device ON/OFF.

The POWER LED is lit when your device is activated.

3 Power input with fuse

Connect here the supplied IEC cord then connect it to the mains after making sure the voltages are compatible.

Fuse values	
AMP480	T4 AL / 250V
AMP4120 MKII	T4 AL / 250V
AMP4240 MKII	T6.3AL / 250V

4 Output terminals

Connect here your speakers or ceiling speakers.

The terminals might be used differently depending on the installation.

Please refer to next chapter for more details about each type of installation.

5 HPF Switch

Allows you to activate or deactivate the high-pass filter.

This filter can be activated of loud noises or interferences can be heard.

6 INPUT and LINK sockets

INPUT : Connect here a line-level source.

LINK : Allows you to send the signal to another device.

7 INPUT ADJUST control knob

Allows you to adjust the incoming signal level from -12dB to 0dB.

4 - Using your amplifier

CAUTION: Please make sure your amplifier is not plugged in and is OFF when checking cables.

Standby mode

The amplifier is equipped with a standby system.

If no audio signal is sent, the amplifier goes into standby mode.

Standby is triggered automatically when an audio signal is received at the input. There is a delay of about 2 seconds before the power section is switched on.

This function can be deactivated for special applications (chimes, for example).

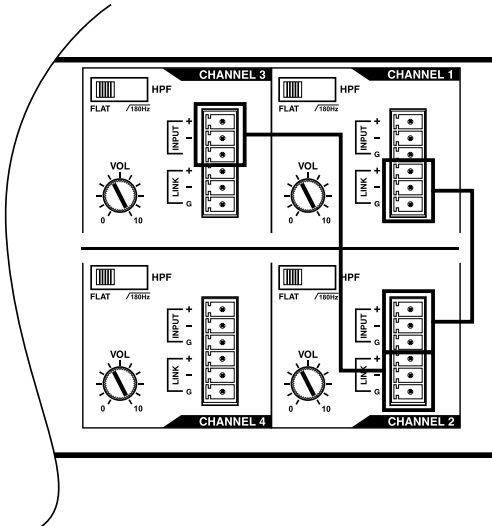
Please contact our technical department for further details.

Input connectors

The line-level plug (INPUT) and LINK output are balanced.

However, they can still receive unbalanced signals.

You can also send the incoming signal from one way to another one as described below:



Output terminals

Please use high-quality cables to connect your speakers.

In order to prevent short-circuits, please tin the cables before connecting them to the output terminal.

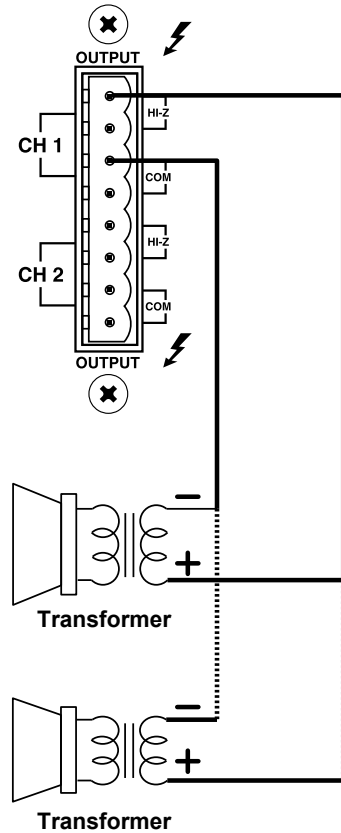
You will find below a table of correspondence between the amplifier/speakers distance and cable sections in order to prevent signal quality losses.

100 V line maximum length			
Power	Minimum impedance	Cross-section of the installed cable	
		1.5 mm ²	2.5 mm ²
60 W	167 Ω	2000 m	3300 m
120 W	83 Ω	1000 m	1600 m
240 W	42 Ω	500 m	880 m
480 W	21 Ω	180 m	350 m

Note: Never use screened cable to carry amplified signal.

Wiring

Please make sure to respect the polarities when connecting your speakers to your amplifier. Connect the speakers equipped with transformers to COM and 100V terminals.



100V speaker or ceiling speakers



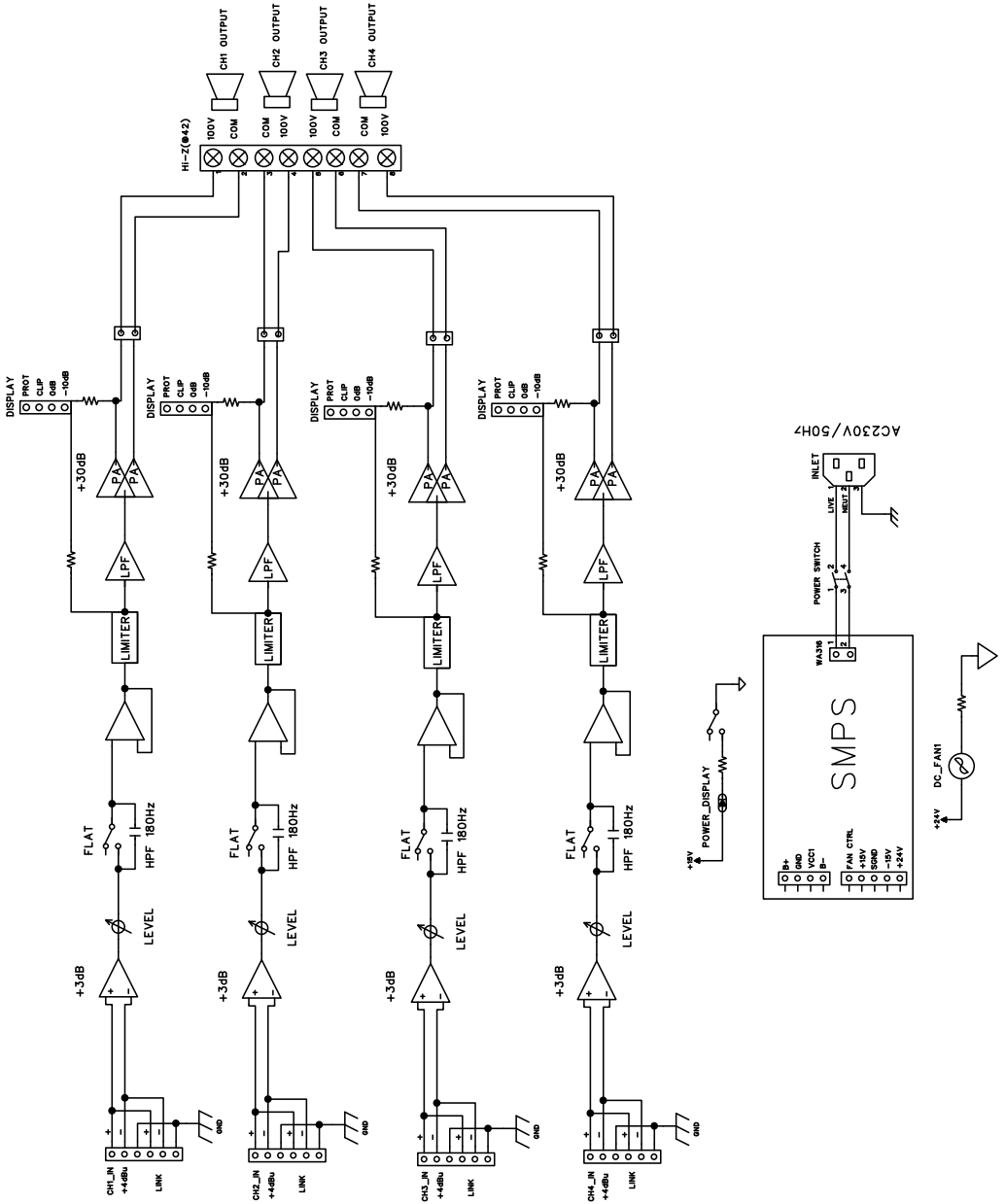
Dangerous voltage
Speakers must be connected last to the amplifier.

Turn the amplifier on when the installation is over and has been checked thoroughly.



Caution: The sum of all connected speakers must not exceed the maximum power of your amplifier

5 - Synoptic



Note AMP480 is a mono-channel amplifier yet the synoptic is identical.

7 - Technical specifications

	AMP480	AMP4120	AMP4240
ELECTRICAL SPECIFICATIONS			
Power (T.H.D 1,0%, 1KHz)	1 x 480 Watts	4 x 120 Watts	4 x 240 Watts
Input sensitivity (INPUT andf LINK) (Balanced input)	0 dB		
Cross-over distortion	higher than 70 dB		
Frequency response	50 Hz - 15 KHz		
Signal to noise ratio	higher than 90dB		
T.H.D at 1 KHz (nominal power)	less than 0,1%		
Output voltages and impedances	42Ω / 100V	83Ω / 100V	42Ω / 100V
Power supply	230V AC, 50Hz		

PHYSICAL CHARACTERISTICS			
Cooling system	Fans		
Operating temperature and humidity	0°~40° with 95% humidity max.		
Dimensions (W x D x H)	483 x 380 x 88 mm		
Net weight	6,6 Kg	7,2 Kg	7,5 Kg

Because AUDIOPHONY® takes the utmost care in its products to make sure you only get the best possible quality, our products are subjects to modifications without prior notice. That is why technical specifications and the products physical configuration might differ from the illustrations.

Make sure you get the latest news and updates about the AUDIOPHONY® products on www.audiophony-pa.com
AUDIOPHONY® is a trademark of **HITMUSIC S.A.S** - Zone Cahors sud - 46230 FONTANES - FRANCE